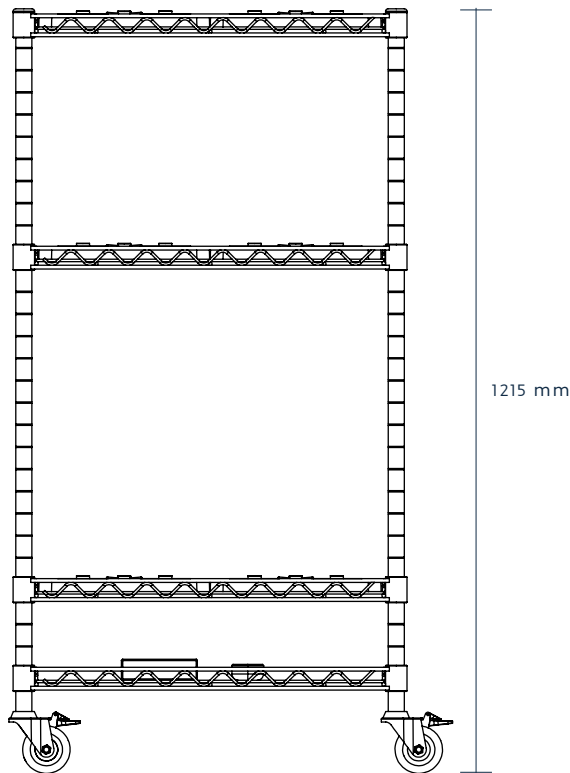
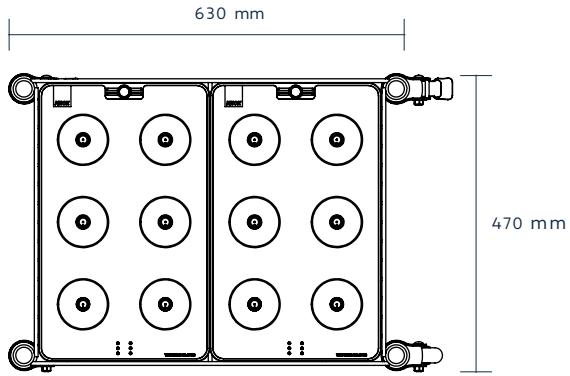




N1 Charging Station - 36 Lamps

DESIGN BY James Perry, Gabriel Tam

NEOZ®



Recharging and storage platform for up to 36 lamps housed within a 3 tier powder-coated stainless steel trolley fully assembled with one power plug for mains connection.

Durable 75% post-consumer recycled plastic is used for the moulding to provide a stable platform with 36 docking points each with LED charge indication.

Featuring 'Quick Turn Off', the lamp will automatically turn off when placed on the dock on the recharging trays.

KEY DETAILS

DESIGN BY	James Perry, Gabriel Tam
YEAR OF DESIGN	2024
MATERIAL	75% Post-Consumer Recycled Polycarbonate (Recharging tray) Black powder-coated steel (Frame)
DIMENSIONS	W 630 x D 470 x H 1215mm W 24.80in x D 18.50in x H 47.83in
WEIGHT	22.8kg
IP RATING	IP40
POWER	Input: 100V-240V 50Hz-60Hz 1.5A Output: DC 24V 2.7A 64.8W 6 power supply unit per charging station
APPROVALS & STANDARDS	RCM, CE, UL / FCC, IC, VCCI
POWER SOURCE	100V -240V switch-mode electronic power supply. Approved for worldwide usage supplied with appropriate mains electric plug type.
COUNTRY OF ORIGIN	Sydney, Australia

RECHARGING OPTIONS



N1 Charging Station (24 lamps)



N1 Charging Station (48 lamps)



N1 Charging Tray (6 lamps)



N1 Charging Base (1 lamp)



N1 Charging Station - 36 Lamps

CONTACT

Tel +61 2 9810 5520
sales@neoz.com.au
20 Tepko Road
Terrey Hills
NSW 2084 Australia

5-YEAR WARRANTY

NEOZ warrants the cordless lamp range for 5 years from the date of purchase.

For further info, visit:
neoz.com.au/warranty

SERVICE & REPAIRS

All NEOZ parts are replaceable or recyclable. Technical support available at service@neoz.com.au

CUSTOMISATION

NEOZ offers bespoke customisation for all of our lamps and new design. Get in touch with our sales team for more information.



reddot



[d]arc awards
CELEBRATING THE BEST IN LIGHTING DESIGN



NEOZ®

neoz.com.au

Information and prices correct as of 1 July 2024. Specifications are subject to change without notice. NEOZ is committed to a policy of continuous product development and reserves the right to make changes to specification, offer and product without notice. The information in this specification sheet can therefore be given as guidance only. While NEOZ makes every effort to ensure that the information is accurate at the time of publication, you should always contact your NEOZ sales representative for the latest information.