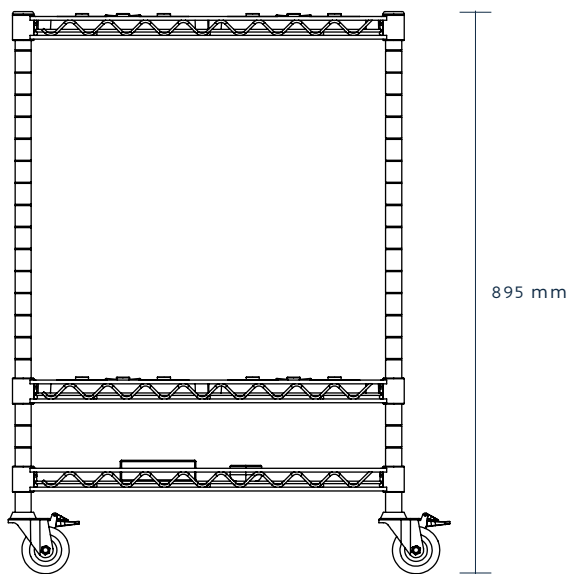
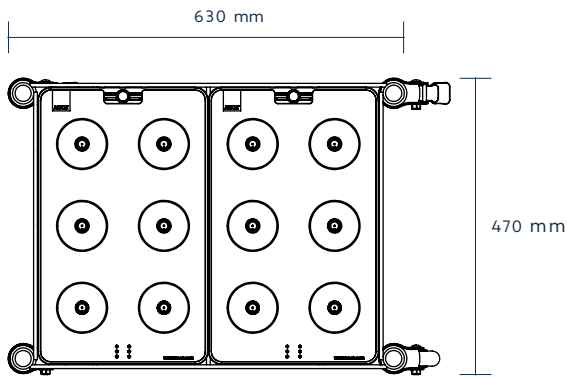


# N1 Charging Station - 24 Lamps

DESIGN BY James Perry, Gabriel Tam

NEOZ®



Recharging and storage platform for up to 24 lamps housed within a 2 tier powder-coated stainless steel trolley fully assembled with one power plug for mains connection.

Durable 75% post-consumer recycled plastic is used for the moulding to provide a stable platform with 24 docking points each with LED charge indication.

Featuring 'Quick Turn Off', the lamp will automatically turn off when placed on the dock on the recharging trays.

**KEY DETAILS**

DESIGN BY	James Perry, Gabriel Tam
YEAR OF DESIGN	2024
MATERIAL	75% Post-Consumer Recycled Polycarbonate (Recharging tray) Black powder-coated steel (Frame)
DIMENSIONS	W 630 x D 470 x H 895mm W 24.80in x D 18.50in x H 35.23in
WEIGHT	18.8kg
IP RATING	IP40
POWER	Input: 100V-240V 50Hz-60Hz 1.5A Output: DC 24V 2.7A 64.8W 4 power supply unit per charging station
APPROVALS & STANDARDS	RCM, CE, UL / FCC, IC, VCCI
POWER SOURCE	100V-240V switch-mode electronic power supply. Approved for worldwide usage supplied with appropriate mains electric plug type.
COUNTRY OF ORIGIN	Sydney, Australia

**RECHARGING OPTIONS**



N1 Charging Station (36 lamps)



N1 Charging Station (48 lamps)



N1 Charging Tray (6 lamps)



N1 Charging Base (1 lamp)



N1 Charing Station - 24 Lamps

#### CONTACT

Tel +61 2 9810 5520  
[sales@neoz.com.au](mailto:sales@neoz.com.au)  
20 Tepko Road  
Terrey Hills  
NSW 2084 Australia

#### 5-YEAR WARRANTY

NEOZ warrants the cordless lamp range for 5 years from the date of purchase.

For further info, visit:  
[neoz.com.au/warranty](http://neoz.com.au/warranty)

#### SERVICE & REPAIRS

All NEOZ parts are replaceable or recyclable. Technical support available at [service@neoz.com.au](mailto:service@neoz.com.au)

#### CUSTOMISATION

NEOZ offers bespoke customisation for all of our lamps and new design. Get in touch with our sales team for more information.



reddot



[d]arc awards  
CELEBRATING THE BEST IN LIGHTING DESIGN



# NEOZ®

[neoz.com.au](http://neoz.com.au)

Information and prices correct as of 1 July 2024. Specifications are subject to change without notice. NEOZ is committed to a policy of continuous product development and reserves the right to make changes to specification, offer and product without notice. The information in this specification sheet can therefore be given as guidance only. While NEOZ makes every effort to ensure that the information is accurate at the time of publication, you should always contact your NEOZ sales representative for the latest information.