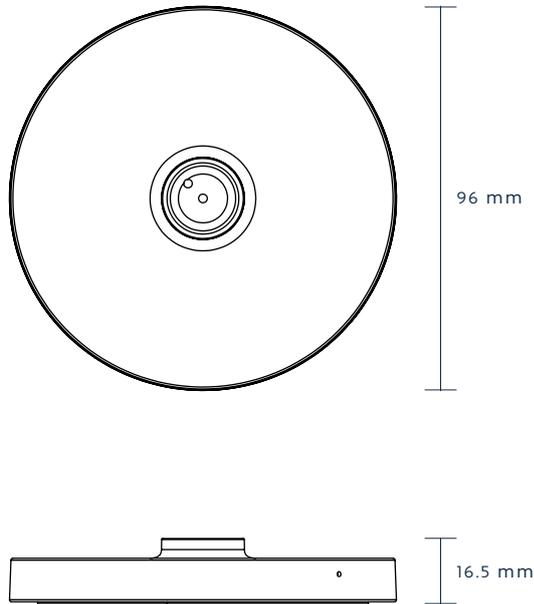




N1 Charging Base

DESIGN BY James Perry, Gabriel Tam

NEOZ®



The N1 charging base conveniently holds and charges your lamp. It includes a 15-watt power supply unit for efficient charging. The base is made from 75% recycled plastic, making it an eco-friendly choice. It features a discrete charge status indicator, and for added convenience, the lamp automatically turns off when placed on the dock.

KEY DETAILS

DESIGN BY	James Perry, Gabriel Tam
YEAR OF DESIGN	2024
MATERIAL	75% Post-Consumer Recycled Polycarbonate
DIMENSIONS	Ø 96mm x H 16.5mm / Ø 3.78in x H 0.65in
WEIGHT	260g
IP RATING	IP40
POWER	Input: 100V-240V 50Hz-60Hz 0.3A Output: DC 24V 0.63A 15.12W
APPROVALS & STANDARDS	RCM, CE, UL / FCC, IC, VCCI
POWER SOURCE	100V-240V switch-mode electronic power supply. Approved for worldwide usage supplied with appropriate mains electric plug type.
COUNTRY OF ORIGIN	Sydney, Australia

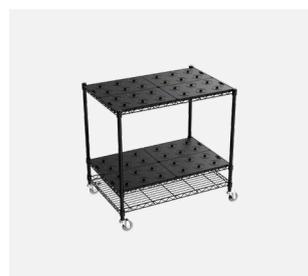
RECHARGING OPTIONS



N1 Charging Station (24 lamps)



N1 Charging Station (36 lamps)



N1 Charging Station (48 lamps)



N1 Charging Tray (6 lamps)



NI Charging Base

CONTACT

Tel +61 2 9810 5520
sales@neoz.com.au
20 Tepko Road
Terrey Hills
NSW 2084 Australia

5-YEAR WARRANTY

NEOZ warrants the cordless lamp range for 5 years from the date of purchase.

For further info, visit:
neoz.com.au/warranty

SERVICE & REPAIRS

All NEOZ parts are replaceable or recyclable. Technical support available at service@neoz.com.au

CUSTOMISATION

NEOZ offers bespoke customisation for all of our lamps and new design. Get in touch with our sales team for more information.



NEOZ®

neoz.com.au

Information and prices correct as of 1 July 2024. Specifications are subject to change without notice. NEOZ is committed to a policy of continuous product development and reserves the right to make changes to specification, offer and product without notice. The information in this specification sheet can therefore be given as guidance only. While NEOZ makes every effort to ensure that the information is accurate at the time of publication, you should always contact your NEOZ sales representative for the latest information.