

# MEDIUM TROLLEY - 36 LAMPS

## SPECIFICATIONS

### GENERAL DESCRIPTION

Recharging and storage platform for up to 36 Lamps housed within a 3 tier stainless steel trolley fully assembled with one power plug for mains connection.

Durable Polycarbonate moulding provides a stable platform with 36 docking points each with LED charge indication.

Featuring 'Quick Turn Off', the lamp will automatically turn off when placed on the dock on the Recharging Trays.



### TECHNICAL DATA

Dimensions                    W 610mm x D 450mm x H 1250mm  
(24") x (18") x (49")

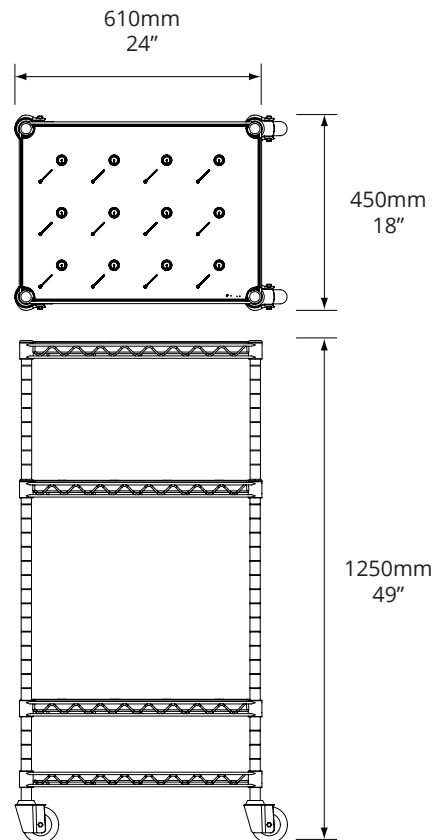
Weight                            23 kg / 51 lb

Material                         Polycarbonate            (Recharging Tray)  
Plated Steel                    (Trolley Frame)

Switch Mode                    Input: 100-240V 50Hz - 60Hz 1.8A  
Power Supply                    Output: DC 15V 8A 120W  
3 units per Medium Trolley

Approvals & Standards            CE, CSA, C-Tick, FCC,  
RoHS Compliant

Main lead / plug to specification    Type A    - N.American / Japanese 2-pin  
Type C    - European 2-pin  
Type G    - British 3-pin  
Type I    - Australian 2/3-pin



**Neoz Cordless Lighting**

Designed and made in Sydney Australia

www.neoz.com

**Contact**

20 Tepko Road Terrey Hills NSW 2084 Australia  
Tel +61 2 9810 5520  
Fax +61 2 9555 1054  
Email sales@neoz.com.au

**Service**

All parts are replaceable or recyclable.  
Technical support available at service@neoz.com.au

**NEOZ Warranty**

NEOZ warrants the V4 range for 36 months from the date of purchase. For further information, see www.neoz.com.au/warranty

Information correct as of April 2015. Specifications are subject to change without notice.



NEOZ



DESIGNED  
IN AUSTRALIA



3 YEARS  
WARRANTY



ALL PARTS  
REPLACEABLE



INTERNATIONAL  
DELIVERY



## MEDIUM TROLLEY

Shown here with Cooee 1c Copper Cordless Lamps

### Neoz Cordless Lighting

Designed and made in  
Sydney Australia

[www.neoz.com](http://www.neoz.com)

### Contact

20 Tepko Road Terrey Hills  
NSW 2084 Australia  
Tel +61 2 9810 5520  
Fax +61 2 9555 1054  
Email [sales@neoz.com.au](mailto:sales@neoz.com.au)

### Service

All parts are replaceable or  
recyclable.  
Technical support available at  
[service@neoz.com.au](mailto:service@neoz.com.au)

### NEOZ Warranty

NEOZ warrants the V4 range  
for 36 months from the date  
of purchase. For further  
information, see  
[www.neoz.com.au/warranty](http://www.neoz.com.au/warranty)

*Information correct as of  
April 2015.  
Specifications are subject  
to change without notice.*

