



DESIGNED
IN AUSTRALIA



3 YEARS
WARRANTY



ALL PARTS
REPLACEABLE



INTERNATIONAL
DELIVERY

BASE STATION - SINGLE LAMP

SPECIFICATIONS

GENERAL DESCRIPTION

Lamps locate on Base Stations for charging with LED charge indication.

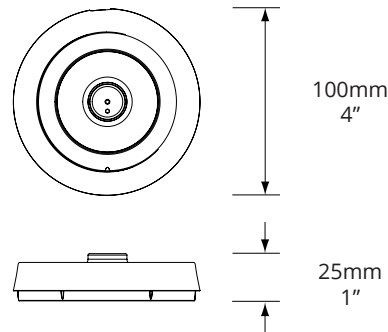
Base Station Switching - simply rotate Lamp half a turn for different brightness levels (patented).

Lamps illuminate using mains power when on Base Station.



TECHNICAL DATA

Dimensions	{Ø100mm x 25mm} x 5 units {Ø4" x 1"} x 5 units
Weight	0.25 kg / 0.5 lb
Material	Polycarbonate
Switch Mode Power Supply	Input: 100-240V 50Hz - 60Hz 0.6A Output: DC 15V 1A 15W
Approvals & Standards	CE, CSA, C-Tick, FCC, RoHS Compliant
Main lead / plug to specification	Type A - N.American / Japanese 2-pin Type C - European 2-pin Type G - British 3-pin Type I - Australian 2/3-pin



Neoz Cordless Lighting

Designed and made in
Sydney Australia

www.neoz.com

Contact

20 Tepko Road Terrey Hills
NSW 2084 Australia
Tel +61 2 9810 5520
Fax +61 2 9555 1054
Email sales@neoz.com.au

Service

All parts are replaceable or
recyclable.
Technical support available at
service@neoz.com.au

NEOZ Warranty

NEOZ warrants the V4 range
for 36 months from the date
of purchase. For further
information, see
www.neoz.com.au/warranty

Information correct as of
April 2015.
Specifications are subject
to change without notice.

